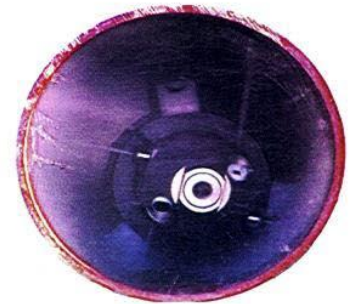
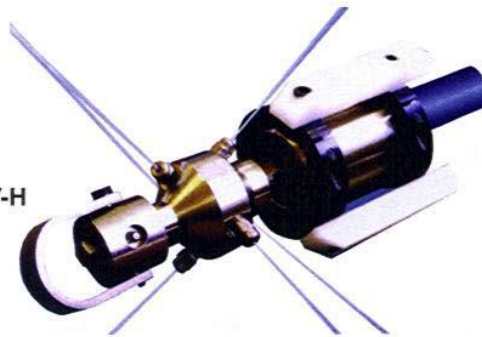


Pipe Centralizers

Designed for the **BJV-M** self-rotating nozzle, these centering devices can be adapted to others.

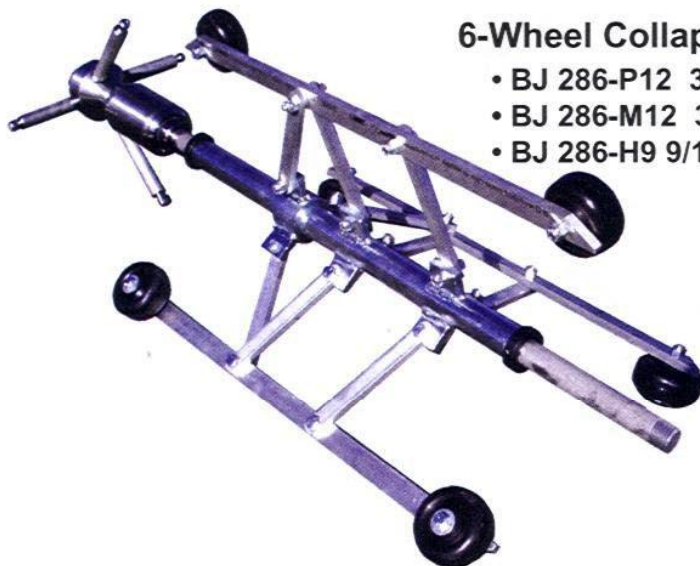
BJ 070 Skid Style

- Works well through elbows
- Fixed size plastic skids
- 6-12 in diameter skid sets available
- Fits 3" OD **BJV-M**, **BJV-20K**, & **BJV-H**
- Change size by replacing skids
- Clamps around BJV
- Approx 5 lb



6-Wheel Collapsing Style

- BJ 286-P12 3/4 npt, 15 Kpsi
- BJ 286-M12 3/4 MP, 20 Kpsi
- BJ 286-H9 9/16 HP, 40 Kpsi



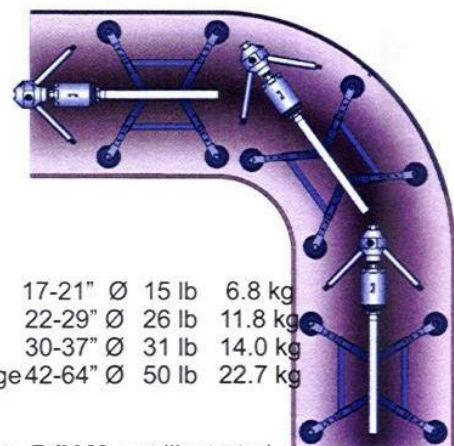
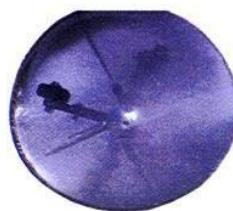
- For straight pipe runs only
- Adjustable aluminum frame
- Easily convertible 15 Kpsi - 20 Kpsi
- With tough plastic wheels

Three sizes available:

Small	9-18" Ø	13 lb	5.9 kg
Medium	13-37" Ø	23 lb	10.4 kg
Large	20-60" Ø	34 lb	15.4 kg

8-Wheel Welded Frame Style

- BJ 288-P12 3/4 npt, 15 Kpsi
- BJ 288-M12 3/4 MP, 20 Kpsi
- BJ 286-H9 9/16 HP, 40 Kpsi



Small	17-21" Ø	15 lb	6.8 kg
Medium	22-29" Ø	26 lb	11.8 kg
Large	30-37" Ø	31 lb	14.0 kg
*Extra Large	42-64" Ø	50 lb	22.7 kg

* BJ 289-XL Clamps to **BJV-M**, not illustrated

- Goes through elbows
- Adjustable steel frame
- Easily convertible 15 - 20 Kpsi
- With tough plastic wheels

